

HD26LS32A

Quadruple Differential Line Receivers With 3 State Outputs

REJ03D0296-0200Z
 (Previous ADE-205-578 (Z))
 Rev.2.00
 Jul.16.2004

Description

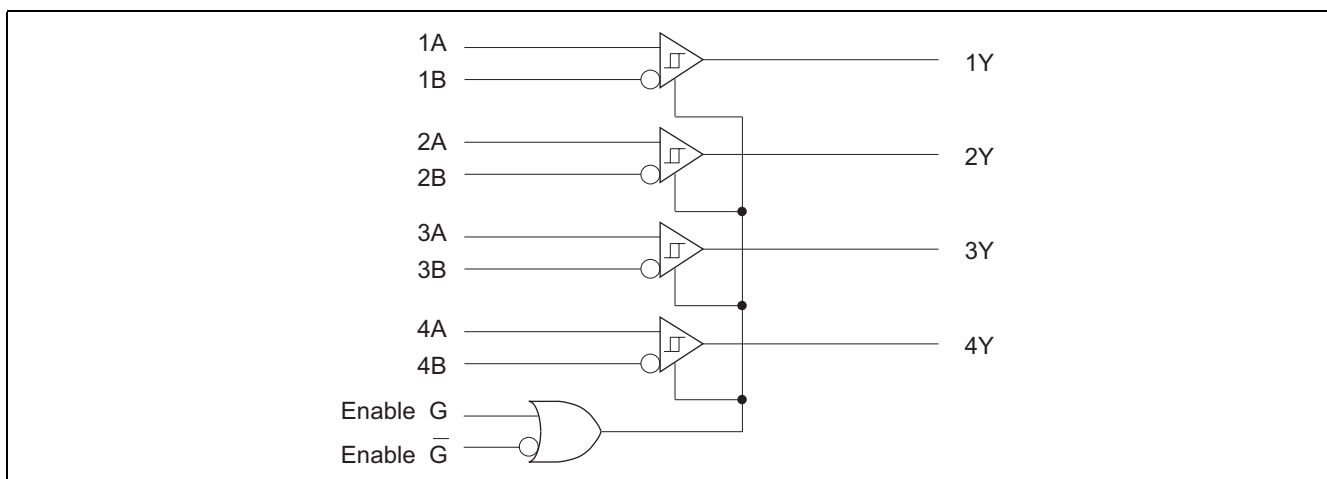
The HD26LS32A features quadruple line receivers designed to meet the specs of EIA standard RS-422A and RS-423. This device operates from a single 5 V power supply. The enable function is common to all four receivers and offers a choice of active high or active low input. Fail safe design ensures that if the inputs are open, the outputs will always be high.

Features

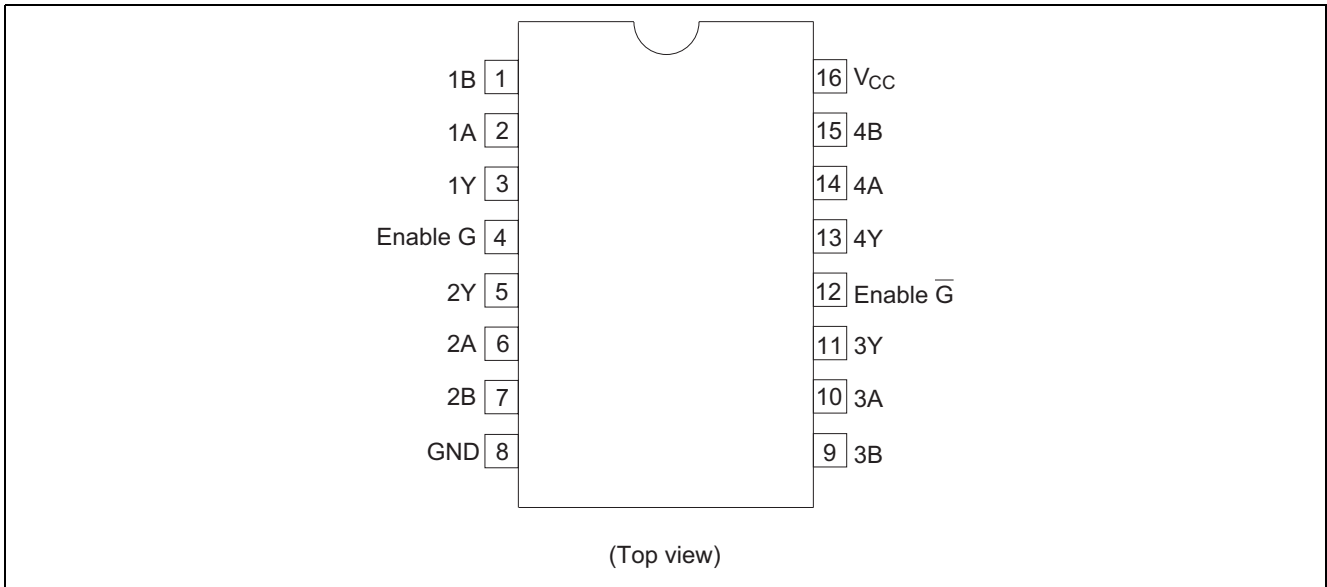
- Ordering Information

Part Name	Package Type	Package Code	Package Abbreviation	Taping Abbreviation (Quantity)
HD26LS32AP	DILP-16 pin (JEITA)	DP-16E, -16FV	P	—

Logic Diagram



Pin Arrangement



Function Table

Differential Input A – B	Enable		Output Y
	G	\bar{G}	
$V_{ID} \geq V_{TH}$	H	X	H
	X	L	H
$V_{TL} < V_{ID} < V_{TH}$	H	X	?
	X	L	?
$V_{ID} \leq V_{TL}$	H	X	L
	X	L	L
X	L	H	Z

- H : High level
- L : Low level
- X : Immaterial
- ? : Irrelevant
- Z : High impedance

Absolute Maximum Ratings

Item	Symbol	Ratings	Unit
Supply Voltage	V_{CC}^{*1}	7.0	V
Input Voltage A or B	V_{IN}	± 25	V
Differential Input Voltage	V_{ID}^{*2}	± 25	V
Enable Input Voltage	V_{IN}	7	V
Output Sink Current	I_{out}	50	mA
Continuous Total Dissipation	P_T	1	W
Operating Temperature	T_{opr}	0 to +70	$^{\circ}C$
Storage Temperature	T_{stg}	-65 to 150	$^{\circ}C$

- Notes:
1. All voltage values except for differential input voltage are with respect to network ground terminal.
 2. Differential input voltage is measured at the noninverting input with respect to the corresponding inverting input.
 3. The absolute maximum ratings are values which must not individually be exceeded, and furthermore, no two of which may be realized at the same time.

Recommended Operating Conditions

Item	Symbol	Min	Typ	Max	Unit
Supply Voltage	V_{CC}	4.75	5.00	5.25	V
In Phase Input Voltage	V_{IC}	—	—	±7.0	V
Output Current	I_{OH}	—	—	-440	μA
	I_{OL}	—	—	8	mA
Operating Temperature	T_{opr}	0	—	70	°C

Electrical Characteristics (Ta = 0 to +70°C)

Item	Symbol	Min	Typ*1	Max	Unit	Conditions	
Differential Input High Threshold Voltage	V_{TH}	—	—	0.2	V	$V_{IC} = -7$ to $+7$ V $V_{OH} = 2.7$ V, $I_{OH} = -440$ μA	
Differential Input Low Threshold Voltage	V_{TL}	—	—	-0.2	mV		$V_{OL} = 0.4$ V, $I_{OL} = 4$ mA
		—	—	-0.2			$V_{OL} = 0.45$ V, $I_{OL} = 8$ mA
Input Hysteresis*2	$V_{TH} - V_{TL}$	—	50	—			
Enable Input Voltage	V_{IH}	2.0	—	—	V	$V_{CC} = 4.75$ V, $I_{IN} = -18$ mA	
	V_{IL}	—	—	0.8			
Enable Input Clamp Voltage	V_{IK}	—	—	-1.5			
Output Voltage	V_{OH}	2.7	—	—			$V_{CC} = 4.75$ V, $V_{ID} = 1$ V, $I_{OH} = -440$ μA
	V_{OL}	—	—	0.4			$V_{IL} (\bar{G}) = 0.8$ V, $V_{ID} = -1$ V, $I_{OL} = 4$ mA
		—	—	0.45			$V_{ID} = -1$ V, $I_{OL} = 8$ mA
Off State (High Impedance) Output Current	I_{OZ}	—	—	20	μA	$V_{CC} = 5.25$ V $V_O = 2.4$ V $V_O = 0.4$ V	
Line Input Current	I_I	—	—	1.2	mA	$V_I = 15$ V, Other Inputs -10 to $+15$ V	
		—	—	-1.7		$V_I = -15$ V, Other Inputs -15 to $+10$ V	
Enable Input Current	I_I (EN)	—	—	100	μA	$V_I = 5.5$ V	
	I_{IH}	—	—	20		$V_I = 2.7$ V	
	I_{IL}	—	—	-0.36	mA	$V_I = 0.4$ V	
Input Resistance	r_i	12	15	—	kΩ	$V_{IC} = -15$ to $+15$ V (Other Inputs AC GND)	
Short Circuit Output Current	I_{OS} *3	-15	—	-85	mA	$V_{CC} = 5.25$ V	
Supply Current	I_{CC}	—	52	70		$V_{CC} = 5.25$ V, $V_I = 0$ V (All Outputs Disable)	

Notes: 1. All typical values are at $V_{CC} = 5$ V, $T_a = 25^\circ\text{C}$, $V_{IC} = 0$.

2. Hysteresis is the differential between the positive going input threshold voltage and the negative going input threshold voltage.

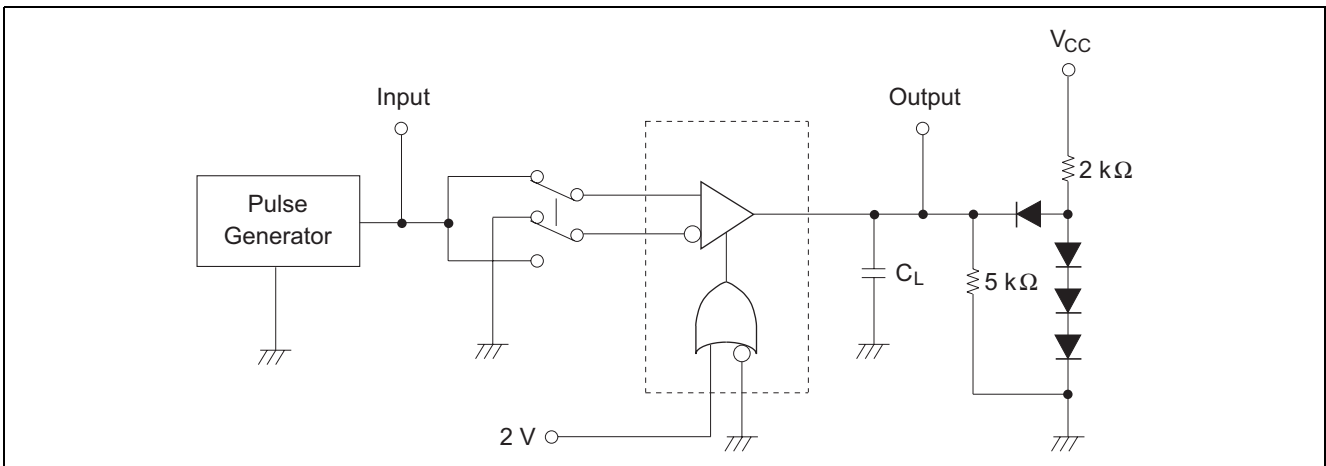
3. Not more than one output should be shorted at a time.

Switching Characteristics ($V_{CC} = 5$ V, $T_a = 25^\circ\text{C}$)

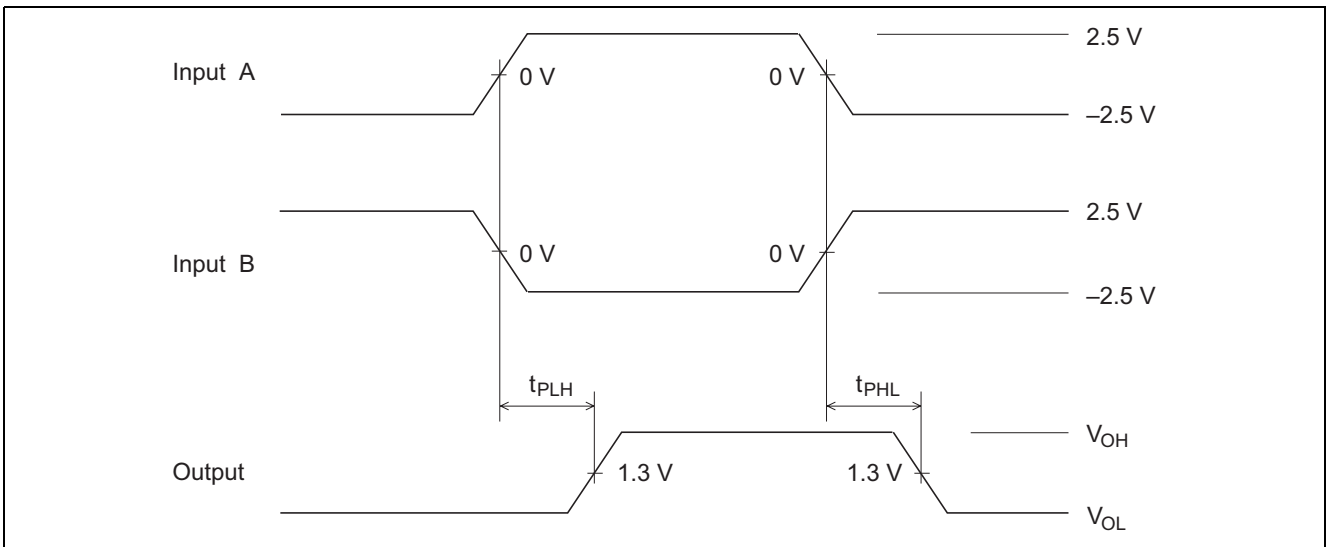
Item	Symbol	Min	Typ	Max	Unit	Conditions
Propagation Delay Time	t_{PLH}	—	20	35	ns	$C_L = 15$ pF
	t_{PHL}	—	22	35		
Output Enable Time	t_{ZH}	—	17	22	ns	$C_L = 15$ pF
	t_{ZL}	—	20	25		
Output Disable Time	t_{HZ}	—	21	30	ns	$C_L = 5$ pF
	t_{LZ}	—	30	40		

1. t_{PLH} , t_{PHL}

Test circuit

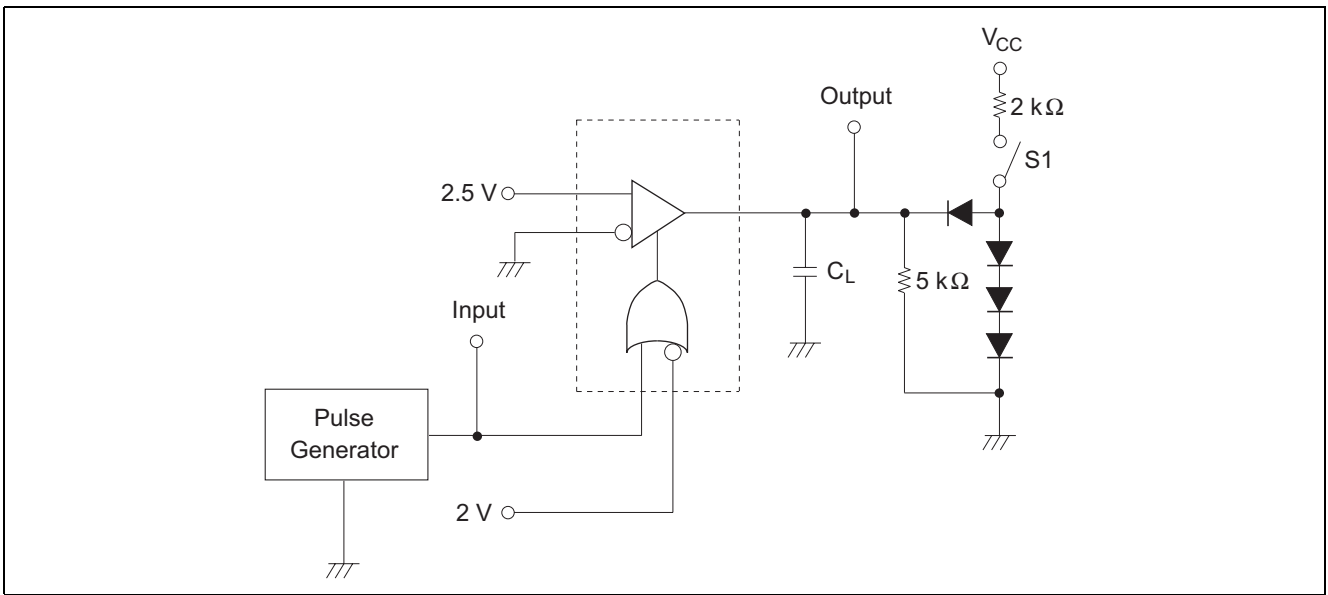


Waveforms

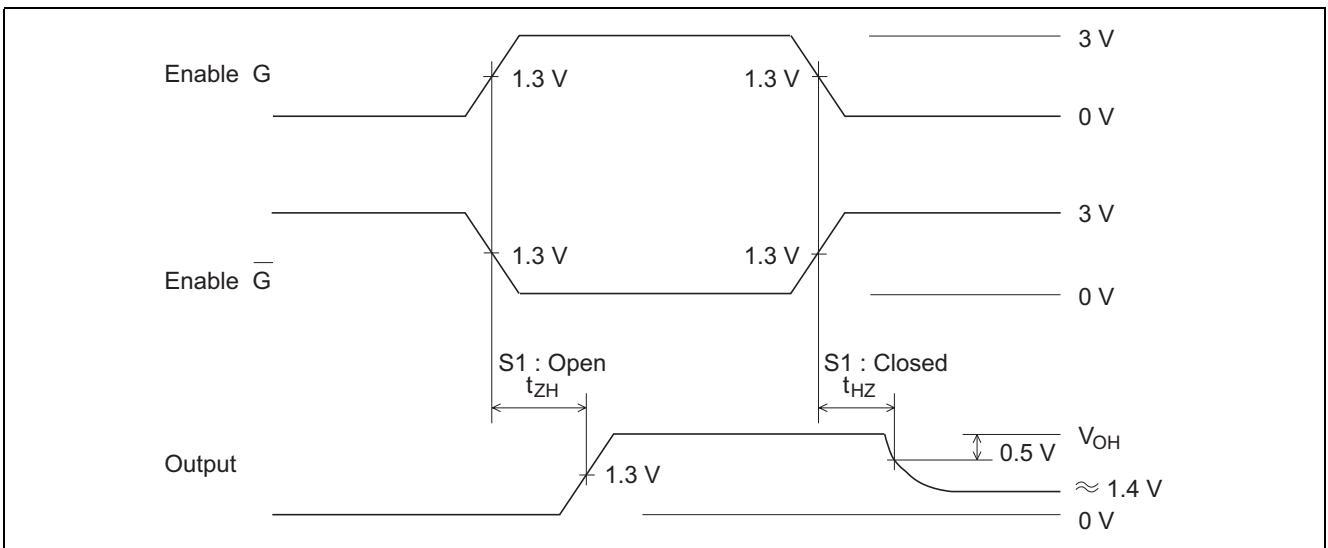


2. t_{HZ} , t_{ZH}

Test circuit

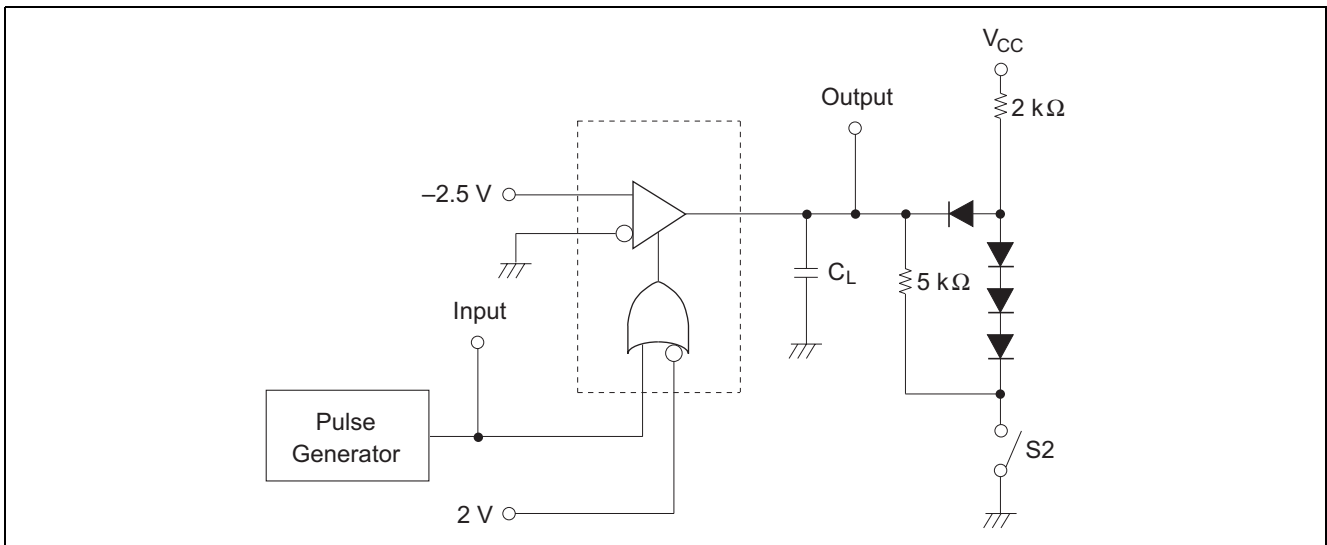


Waveforms

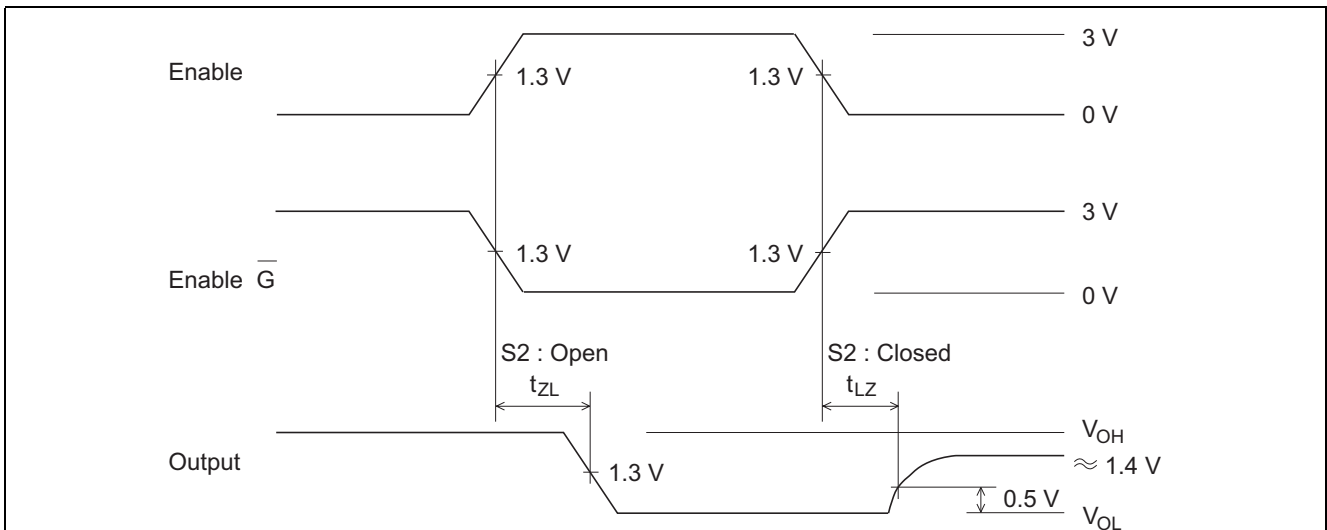


3. t_{LZ} , t_{ZL}

Test circuit



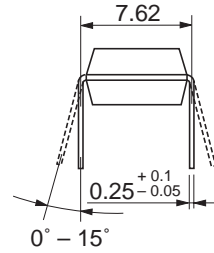
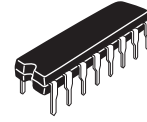
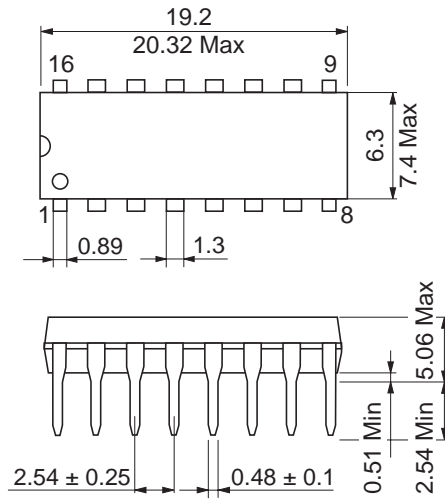
Waveforms



- Notes:
1. The pulse generator has the following characteristics:
 $PRR = 1 \text{ MHz}$, 50% duty cycle, $t_r \leq 6 \text{ ns}$, $t_f \leq 6 \text{ ns}$, $Z_{out} = 50 \Omega$.
 2. C_L includes probe and jig capacitance.
 3. All diodes are 1S2074(H).
 4. To test G input, ground G input and apply an inverted input waveform.

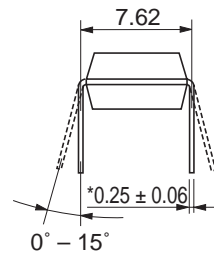
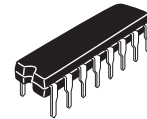
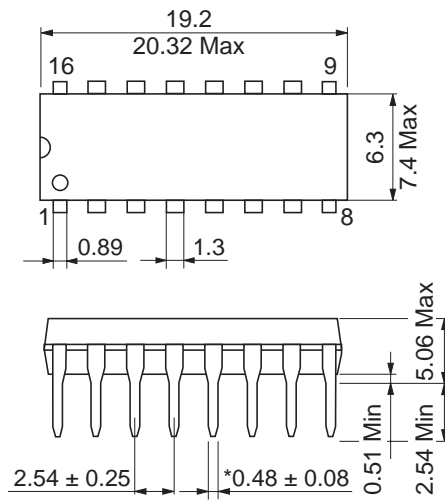
Package Dimensions

As of January, 2003
Unit: mm



Package Code	DP-16E
JEDEC	Conforms
JEITA	Conforms
Mass (reference value)	1.05 g

Unit: mm



*Ni/Pd/AU Plating

Package Code	DP-16FV
JEDEC	Conforms
JEITA	Conforms
Mass (reference value)	1.05 g

Keep safety first in your circuit designs!

1. Renesas Technology Corp. puts the maximum effort into making semiconductor products better and more reliable, but there is always the possibility that trouble may occur with them. Trouble with semiconductors may lead to personal injury, fire or property damage. Remember to give due consideration to safety when making your circuit designs, with appropriate measures such as (i) placement of substitutive, auxiliary circuits, (ii) use of nonflammable material or (iii) prevention against any malfunction or mishap.

Notes regarding these materials

1. These materials are intended as a reference to assist our customers in the selection of the Renesas Technology Corp. product best suited to the customer's application; they do not convey any license under any intellectual property rights, or any other rights, belonging to Renesas Technology Corp. or a third party.
 2. Renesas Technology Corp. assumes no responsibility for any damage, or infringement of any third-party's rights, originating in the use of any product data, diagrams, charts, programs, algorithms, or circuit application examples contained in these materials.
 3. All information contained in these materials, including product data, diagrams, charts, programs and algorithms represents information on products at the time of publication of these materials, and are subject to change by Renesas Technology Corp. without notice due to product improvements or other reasons. It is therefore recommended that customers contact Renesas Technology Corp. or an authorized Renesas Technology Corp. product distributor for the latest product information before purchasing a product listed herein.
The information described here may contain technical inaccuracies or typographical errors.
Renesas Technology Corp. assumes no responsibility for any damage, liability, or other loss rising from these inaccuracies or errors.
Please also pay attention to information published by Renesas Technology Corp. by various means, including the Renesas Technology Corp. Semiconductor home page (<http://www.renesas.com>).
 4. When using any or all of the information contained in these materials, including product data, diagrams, charts, programs, and algorithms, please be sure to evaluate all information as a total system before making a final decision on the applicability of the information and products. Renesas Technology Corp. assumes no responsibility for any damage, liability or other loss resulting from the information contained herein.
 5. Renesas Technology Corp. semiconductors are not designed or manufactured for use in a device or system that is used under circumstances in which human life is potentially at stake. Please contact Renesas Technology Corp. or an authorized Renesas Technology Corp. product distributor when considering the use of a product contained herein for any specific purposes, such as apparatus or systems for transportation, vehicular, medical, aerospace, nuclear, or undersea repeater use.
 6. The prior written approval of Renesas Technology Corp. is necessary to reprint or reproduce in whole or in part these materials.
 7. If these products or technologies are subject to the Japanese export control restrictions, they must be exported under a license from the Japanese government and cannot be imported into a country other than the approved destination.
Any diversion or reexport contrary to the export control laws and regulations of Japan and/or the country of destination is prohibited.
 8. Please contact Renesas Technology Corp. for further details on these materials or the products contained therein.
-



RENESAS SALES OFFICES

<http://www.renesas.com>

Renesas Technology America, Inc.

450 Holger Way, San Jose, CA 95134-1368, U.S.A
Tel: <1> (408) 382-7500 Fax: <1> (408) 382-7501

Renesas Technology Europe Limited.

Dukes Meadow, Millboard Road, Bourne End, Buckinghamshire, SL8 5FH, United Kingdom
Tel: <44> (1628) 585 100, Fax: <44> (1628) 585 900

Renesas Technology Europe GmbH

Dornacher Str. 3, D-85622 Feldkirchen, Germany
Tel: <49> (89) 380 70 0, Fax: <49> (89) 929 30 11

Renesas Technology Hong Kong Ltd.

7/F., North Tower, World Finance Centre, Harbour City, Canton Road, Hong Kong
Tel: <852> 2265-6688, Fax: <852> 2375-6836

Renesas Technology Taiwan Co., Ltd.

FL 10, #99, Fu-Hsing N. Rd., Taipei, Taiwan
Tel: <886> (2) 2715-2888, Fax: <886> (2) 2713-2999

Renesas Technology (Shanghai) Co., Ltd.

26/F., Ruijin Building, No.205 Maoming Road (S), Shanghai 200020, China
Tel: <86> (21) 6472-1001, Fax: <86> (21) 6415-2952

Renesas Technology Singapore Pte. Ltd.

1, Harbour Front Avenue, #06-10, Keppel Bay Tower, Singapore 098632
Tel: <65> 6213-0200, Fax: <65> 6278-8001